

Top

Fold

Fold



Wanted: New Attendees for AnCon 2010.

Help us promote AnCon 2010 and earn \$5 cash per new attending person you get to preregister.

Bounty earned on all Day and Weekend pre-registrations submitted with this form and paid in full by April 30, 2010.

You do not need to pre-register. You cannot count bounty for yourself. Free children 10 and under cannot be bountied.

Bounty rewards paid onsite at show.

All bounty pre-registration must be received in full by April 30, 2010. Any bounty pre-registrations seeking cancellation or refunds must be claimed by April 30, 2010. Bounty pre-registration refunded after April 30, 2010 will deduct \$5.

Questions concerning the AnCon Gamer Bounty Hunter program can contact us at anconsuper@aol.com or call 330-908-3970.

AnCon Paper Dice Tower



www.anothergamecon.com

Flap - Fold and Glue

Bottom

Fold

Fold

R Side

Back

Top

Fold

Wanted



Needed: Hobby Game Enthusiasts interested in running their favorite games at AnCon 2010

Game Master discount registration is refunded through the events you run. For more information contact us at anconsuper@aol.com

AnCon 2010

Another Game Convention

May 21-23, 2010

Clarion Inn - Hudson, Ohio

www.anothergamecon.com

Bottom

L Side

AnCon Paper Dice Tower



www.anothergamecon.com

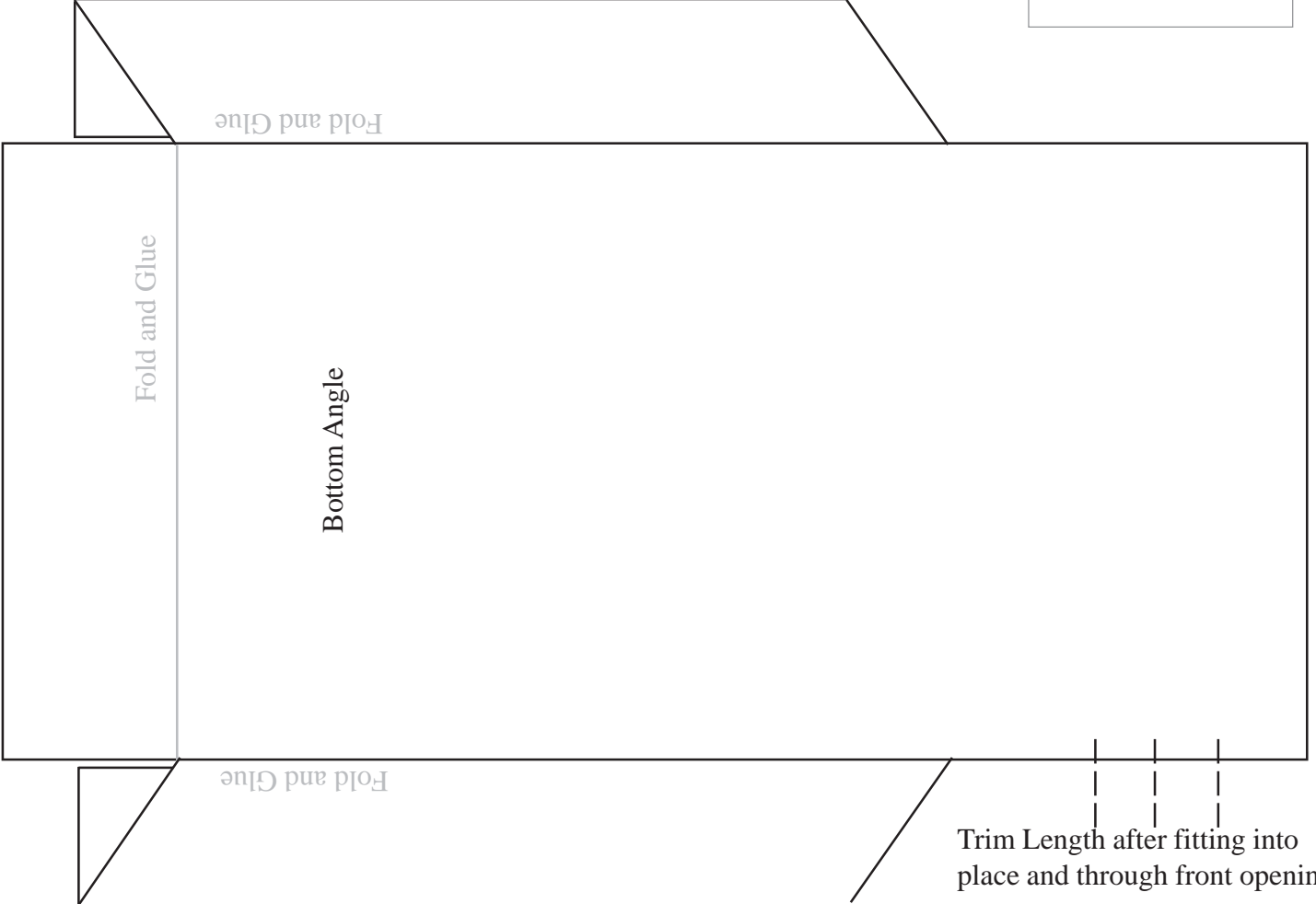
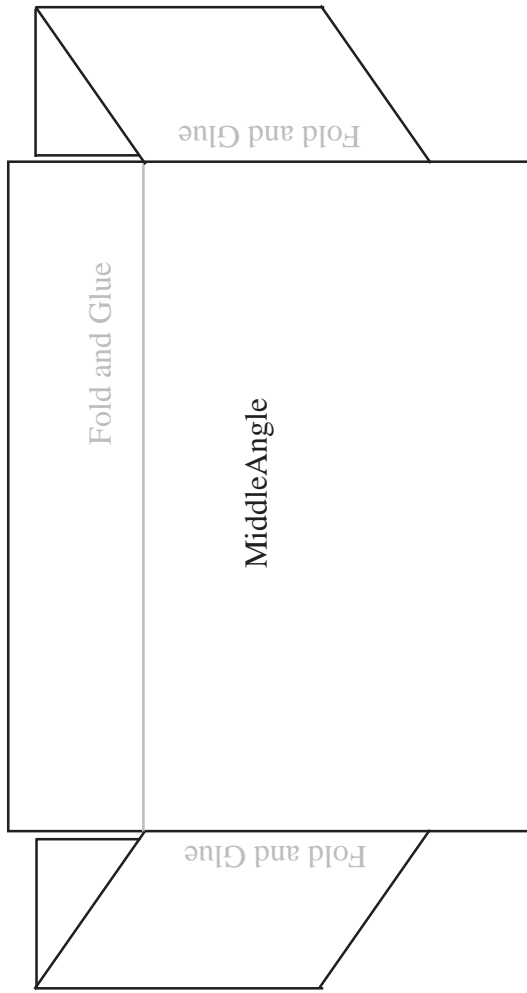
Cut Out Sides and Top

Fold

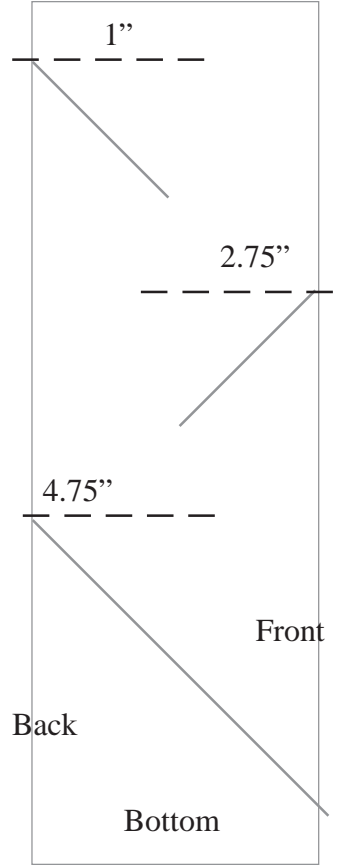
Fold

Front

Flap - Fold and Glue



Cut out, fold, glue inside with angle at the measured locations from the top down.



Trim Length after fitting into place and through front opening.

Tower Base: Sit tower inside at one end

Fold		Fold
<p>AnCon Paper Dice Tower</p> <p>www.anothergamecon.com</p>	<p>AnCon Paper Dice Tower</p>  <p>www.anothergamecon.com</p>	<p>AnCon Paper Dice Tower</p> <p>www.anothergamecon.com</p>
Fold		Fold